

# The Beacon™ Series Waist-High Optical Turnstiles

BE800-S

Stainless Cabinet & Solid Surface Top | Interior Application

The Beacon™ Series is our line of barrier-free pedestrian control devices. Using a non-restrictive method to control traffic flow, these optical units are ideally suited for office personnel entrances where the majority of the people enter using an ID card. It allows for rapid pedestrian advancement and barrier free ADA access, while preventing "tail-gating" by those without credentials.

This low profile unit is constructed of a heavy 14-gauge, 300 series satin stainless steel finish cabinet and is finished with a solid surface top to match any décor. It integrates with all standard access equipment. The "sister unit" is the BE800-W featuring a wood cabinet.



BE800-S

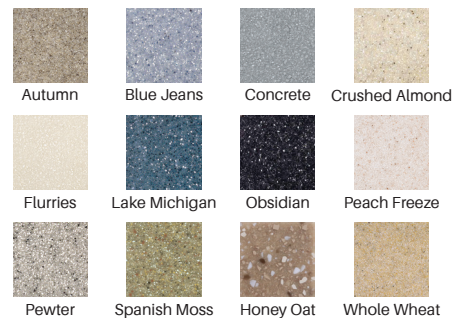


## We're the #1 Choice of Top Architects, Security Pros and Engineers

For more than 30 years, Controlled Access has been the globally trusted name in pedestrian control equipment. Made in Ohio and shipped worldwide, we are the first choice of leading architects, facility managers, security consultants, and engineers. Whether your project requires high security full-height turnstiles, waist high units, or matching ADA accessible gates, Controlled Access is the secure choice. We're experienced in access control systems, from card readers to biometric scanning, to give you the power to control access.



## Standard top selections include:



\* Subject to availability

**CA CONTROLLED ACCESS, INC.**  
Turnstiles and ADA Gates  
The Leader in Pedestrian Access Control

1636 West 130<sup>TH</sup> Street  
Brunswick, Ohio 44212  
[www.controlledaccess.com](http://www.controlledaccess.com)

PH: 330.273.6185 | Fax: 330.273.4468  
Toll-Free Ph: 800.942.0829 | Toll-Free Fax: 800.942.0828  
E-mail: [sales@controlledaccess.com](mailto:sales@controlledaccess.com)

# The Beacon™ Series Waist-High Optical Turnstiles

BE800-S

## Stainless Cabinet & Solid Surface Top | Interior Application

### Applications:

This interior application barrier free optical unit is the stainless steel version of our wood unit (BE800-W). It features our signature 304 stainless steel/No. 4 satin finish cabinet with solid surface top. It is ideally suited for office personnel entrances where the majority of people enter using an ID card.

### Product Overview:

Our barrier free optical turnstile lanes operate with through-beam type sensors to provide accurate monitoring of lane status. To this end, each lane requires a primary cabinet (receivers & logic controller) and secondary cabinet (transmitters). Hybrid cabinets (primary on one side and secondary on the other) are also available to allow multiple lanes per array of cabinets.

Each lane has two main zones comprised of a series of sensors to grant alarm-free passage or detect unauthorized access and "tail-gating" in either direction of travel.

In addition, crawl-detection sensors exist in the lower section of each cabinet to give additional security. In facilities where excessive low to the ground traffic is frequent, such as gyms with members dragging rolling bags, this feature can be disabled if desired.

### Product Features:

#### Materials and Finishes:

- **Lid:** A solid surface (or wood) top with your choice of 12 standard colors selections. Custom colors and Corian™ can be quoted
- **Cabinet:** Our signature 304 stainless steel/ No. 4 satin finish

### Design & Construction:

- Designed for secure and reliable operation with aesthetics in mind
- Bollard construction is our 304 stainless steel/ No. 4 satin finish
- Dark tinted tempered glass provides a sleek appearance while concealing inner components

### Optical Features:

- Optical sensors provide for passage for up to 30 people/minute
- Powerful through-beam sensors which exceed sensing distance to ensure proper functionality
- LED graphic arrays to indicate direction status
- Optical sensors to prevent unauthorized "crawling" thru lane
- Can be configured for controlled passage in one or both directions, with free or no passage in the other via settings on the logic controller
- Alarm condition provides audible tone as well as solid state output for integration into other systems

### Installation:

- Dual-axis sensor alignment with visible target to ensure a simplified and reliable installation
- Nearly universal integration to any number of access control systems
- Low voltage (24VDC) requirements to secondary cabinet reduce conduit requirements
- Flexibility in passage widths: from 22" to 38"

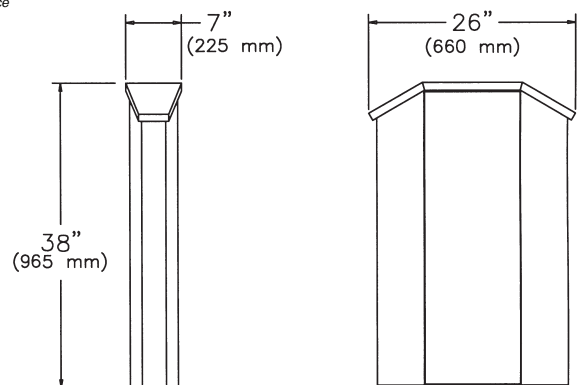
### Options:

- Corian™, wooden or other alternate top choices outside of our standard selection
- Additional options available upon request

### Dimensions:

- **Height:** 38" (965.2mm)
- **Width:** 7" (177.8mm)
- **Depth:** 26" (660.4mm)

\* Dimensions are subject to change without notice



\* Dimensions are approximate

### Warranty:

Units are warranted against defects in materials and workmanship for a period of two years from date of delivery. See warranty information for specific details.

### Electrical Specifications:

Input Voltage: 100-240 VAC  
Operating Voltage: 24VDC  
Operating Current: 15W per lane  
Direction Inputs: Contact Closure (Normally Open, Dry)

### Standards and Codes:

Austenitic stainless steel:  
ASTM A240, A249, A276

All fasteners provided meet IFI ANSI/  
ASME Fastener Standards

American Welding Society (AWS)  
Standard D 1.1



Controlled Access, Inc. is certified by Advantage International Registrar to be an ISO 9001:2015 company