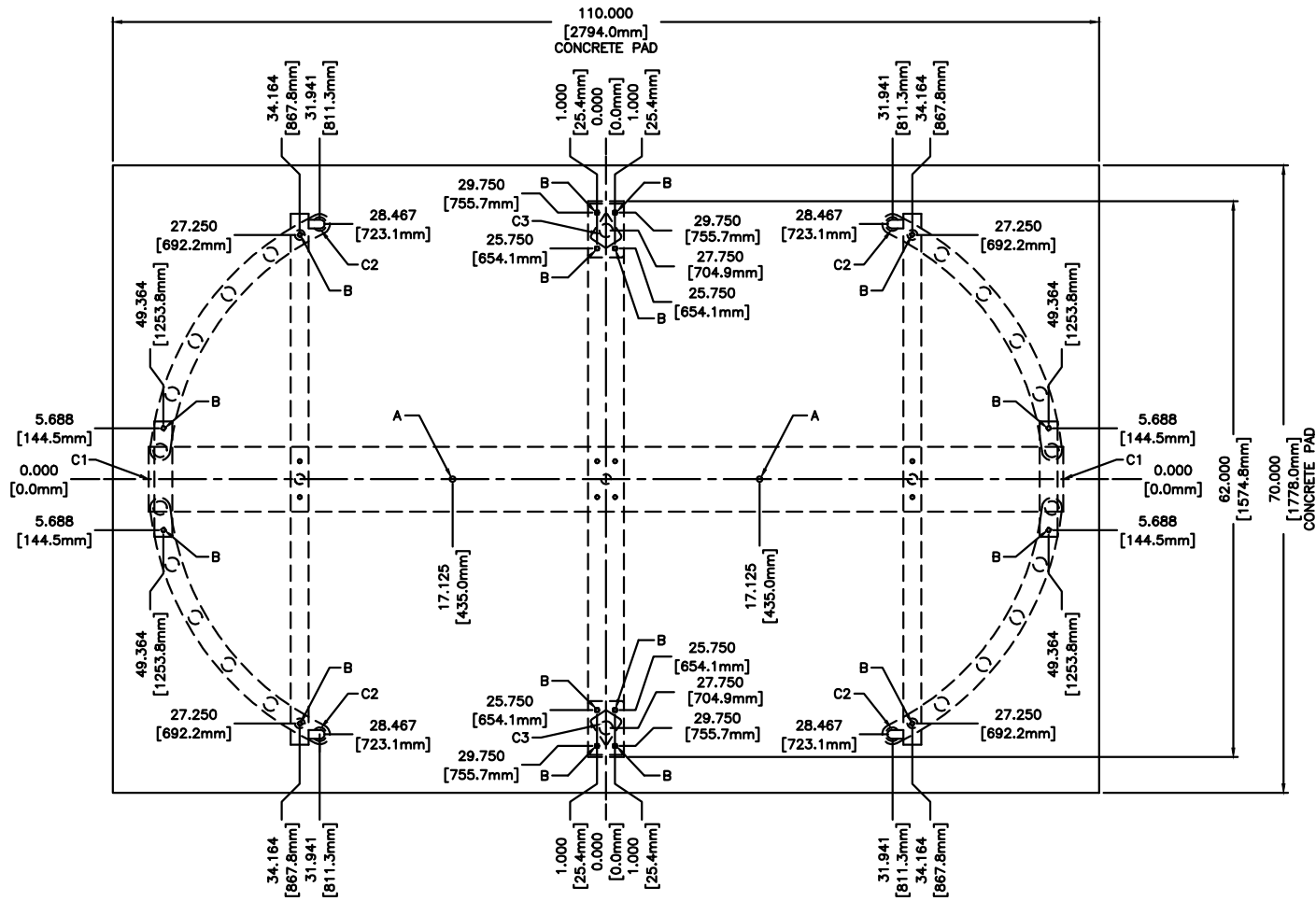


REVISION HISTORY		
SYMBOL	DESC.	DATE

FOR USE ON ALL HS430-T MODELS



**ANCHOR POINTS**

- A=  $\emptyset$ .625 X 4.500 STAINLESS STEEL CONCRETE ANCHOR QTY 2
- B=  $\emptyset$ .375 X 4.500 STAINLESS STEEL CONCRETE ANCHOR QTY 12

**SUGGESTED CONDUIT LOCATION**

- C1 = THROUGH MAIN CHANNEL END CAP (TYP BOTH SIDES)
- C2 = THROUGH VERTICAL TOKE TUBE
- C3 = THROUGH BARRIER VERTICALS

**CONCRETE PAD NOTE:**

POUR PAD 4.000 [101.6mm] - 6.000 [152.4mm] THICK, AND INSURE IT IS LEVEL  $\pm$ .125 [3.1mm]

MATERIAL: N/A	SCALE: .5=12	APPROVED BY:	DRAWN BY: LC III
	DATE: 1/10/18	REVISED:	
FINISH: TOL. UNLESS OTHERWISE SPEC. .X $\pm$ .1 .XX $\pm$ .03	<p>330-273-6185 FAX 330-273-4468 USA 1-800-942-0829 FAX 1-800-942-0828</p> <p><b>CONTROLLED ACCESS, INC.</b> 1636 West 130th Street Brunswick, Ohio 44212</p>		
<p>ANGLES .5°</p>			HS430-T ANCHOR POINTS/CONDUIT

PROPRIETARY AND CONFIDENTIAL  
THIS DRAWING IS THE PROPERTY OF CONTROLLED ACCESS, INC. AND CONTAINS PROPRIETARY INFORMATION. IT MAY NOT BE COPIED, REPRODUCED OR TRANSMITTED IN ANY MANNER TO A THIRD PARTY WITHOUT PRIOR WRITTEN PERMISSION OF CONTROLLED ACCESS, INC.