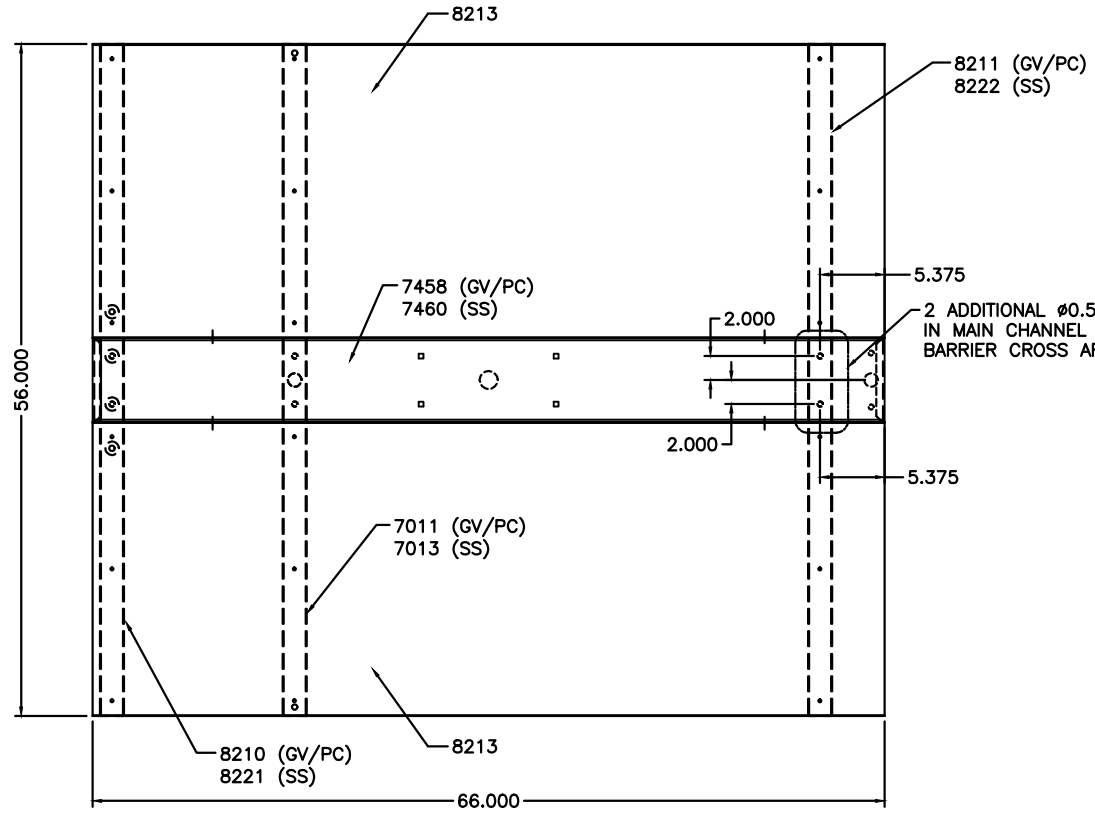


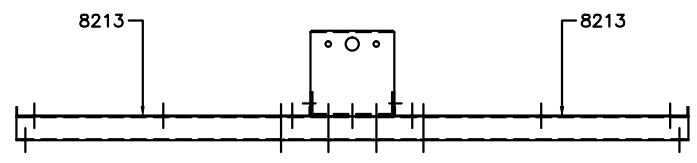
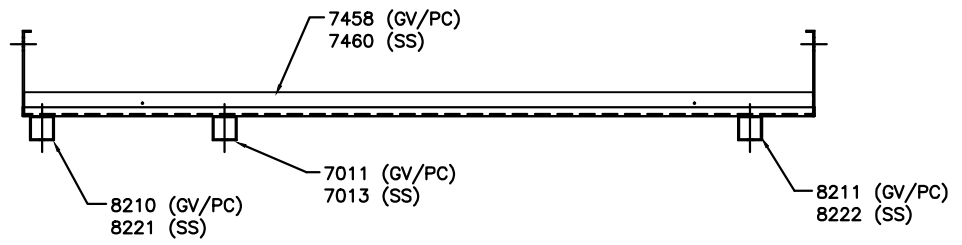
REVISION HISTORY		
SYMBOL	DESC.	DATE

HIGH SECURITY CANOPY




PARTS REQUIRED PER ASSEMBLY (GV/PC)
 7011 CROSS ARM SET QTY 1 (SHORT CROSS REPLACED BY 8210)
 7458 MAIN CHANNEL CROSS ARM ASSEMBLY QTY 1
 8211 BARRIER CROSS ARM CANOPY QTY 1
 8210 YOKE CROSS ARM CANOPY QTY 1
 8213 CANOPY WING QTY 2
 FASTENERS
 6 3/8 X 3 CARRIAGE BOLTS, 6 WASHERS, 6 LOCK WASHERS, 6 3/8 NUTS
 18 SELF TAPPING SCREWS CANOPY WING TO CROSS ARMS

PARTS REQUIRED PER ASSEMBLY (SS)
 7013 CROSS ARM SET QTY 1 (SHORT CROSS REPLACED BY 8221)
 7460 MAIN CHANNEL CROSS ARM ASSEMBLY QTY 1
 8222 BARRIER CROSS ARM CANOPY QTY 1
 8221 YOKE CROSS ARM CANOPY QTY 1
 8213 CANOPY WING QTY 2
 FASTENERS
 6 3/8 X 3 CARRIAGE BOLTS, 6 WASHERS, 6 LOCK WASHERS, 6 3/8 NUTS
 18 SELF TAPPING SCREWS CANOPY WING TO CROSS ARMS



INSTALLATION NOTE:
 CANOPY WINGS INSTALL ON TOP OF CROSS ARMS

MATERIAL: AS ABOVE	SCALE: 1=16	APPROVED BY:	DRAWN BY: LC III
	DATE: 2/2/15		REVISED:
FINISH:	 CONTROLLED ACCESS, INC. 1636 West 130th Street Brunswick, Ohio 44212		330-273-6185
TOL. UNLESS OTHERWISE SPEC. .X ± .1 .XXX ± .015 .XX ± .03 ANGLES .5°			USA 1-800-942-0829
		HS430-S CANOPY ASSEMBLY	