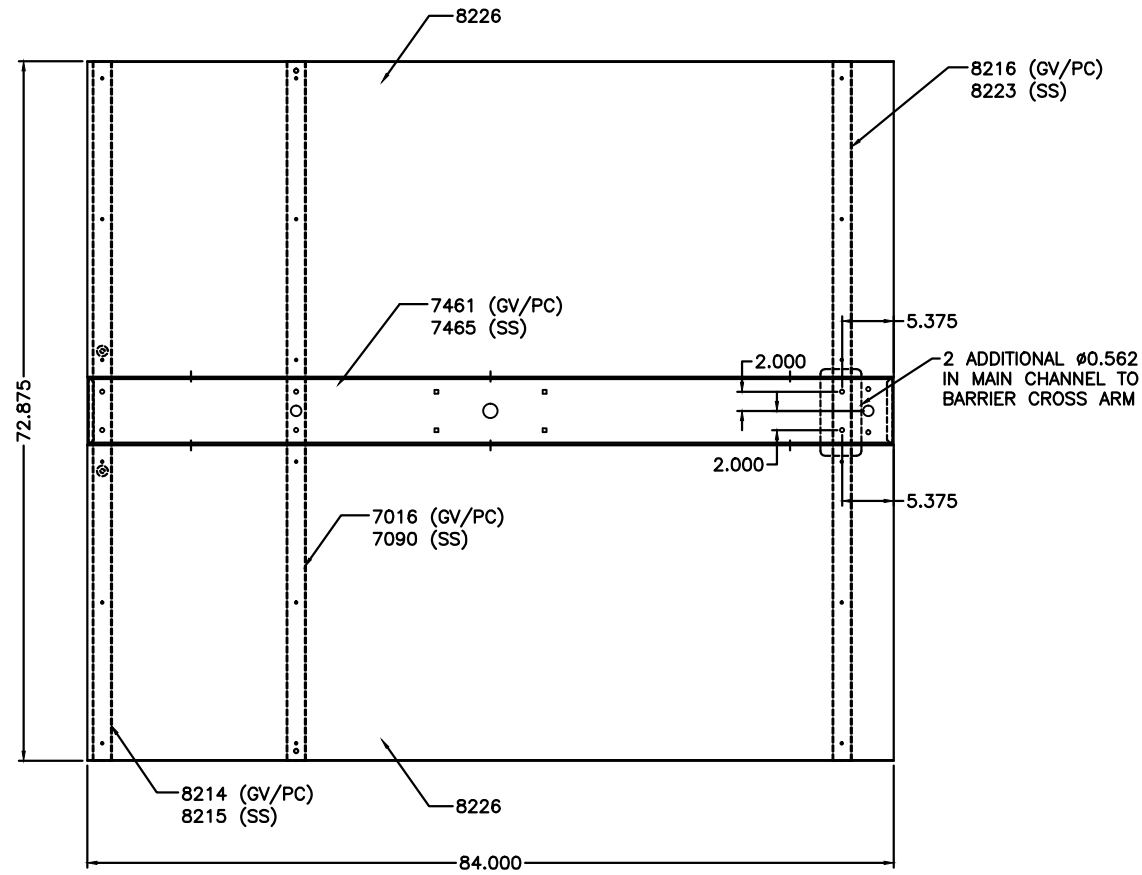


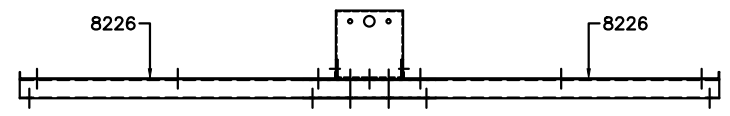
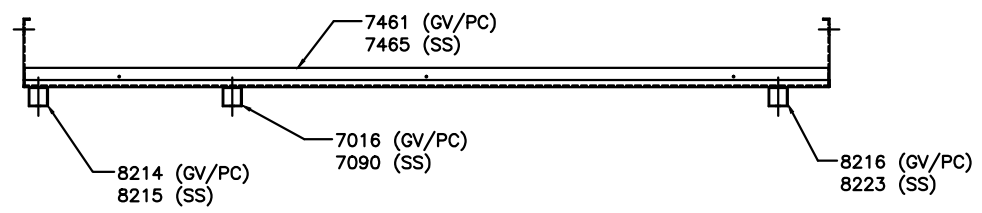
REVISION HISTORY		
SYMBOL	DESC.	DATE

HIGH SECURITY CANOPY




PARTS REQUIRED PER ASSEMBLY (GV/PC)
 7016 CROSS ARM SET QTY 1 (SHORT CROSS REPLACED BY 8214)
 7461 MAIN CHANNEL CROSS ARM ASSEMBLY QTY 1
 8216 BARRIER CROSS ARM CANOPY QTY 1
 8214 YOKE CROSS ARM CANOPY QTY 1
 8226 CANOPY WING QTY 2
 FASTENERS
 6 3/8 X 3 CARRIAGE BOLTS, 6 WASHERS, 6 LOCK WASHERS, 6 3/8 NUTS
 18 SELF TAPPING SCREWS CANOPY WING TO CROSS ARMS

PARTS REQUIRED PER ASSEMBLY (SS)
 7090 CROSS ARM SET QTY 1 (SHORT CROSS REPLACED BY 8215)
 7465 MAIN CHANNEL CROSS ARM ASSEMBLY QTY 1
 8223 BARRIER CROSS ARM CANOPY QTY 1
 8215 YOKE CROSS ARM CANOPY QTY 1
 8226 CANOPY WING QTY 2
 FASTENERS
 6 3/8 X 3 CARRIAGE BOLTS, 6 WASHERS, 6 LOCK WASHERS, 6 3/8 NUTS
 18 SELF TAPPING SCREWS CANOPY WING TO CROSS ARMS



INSTALLATION NOTE:
 CANOPY WINGS INSTALL ON TOP OF CROSS ARMS

MATERIAL:	SCALE: 1=20	APPROVED BY:	DRAWN BY: LC III
AS ABOVE	DATE: 2/3/15		REVISED:
FINISH:	 CONTROLLED ACCESS, INC. 1636 West 130th Street Brunswick, Ohio 44212		
TOL. UNLESS OTHERWISE SPEC.	330-273-6185	USA 1-800-942-0829	
.X ± .1 .XXX ± .015	FAX 330-273-4468		FAX 1-800-942-0828
.XX ± .03 ANGLES .5°	HS439 CANOPY ASSEMBLY		