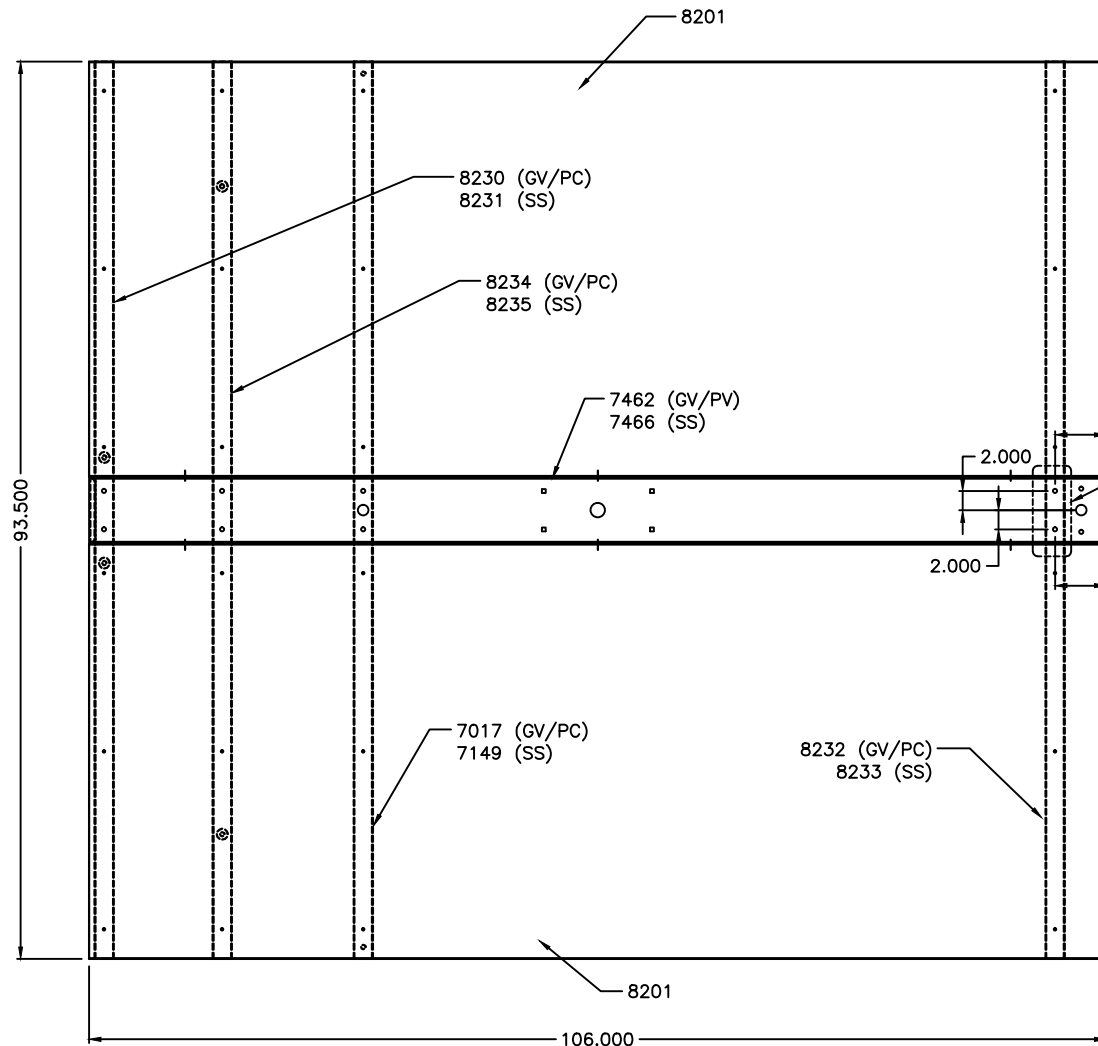


REVISION HISTORY		
SYMBOL	DESC.	DATE

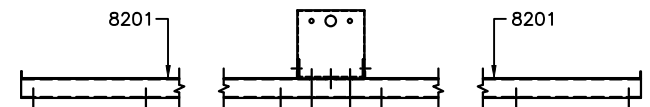
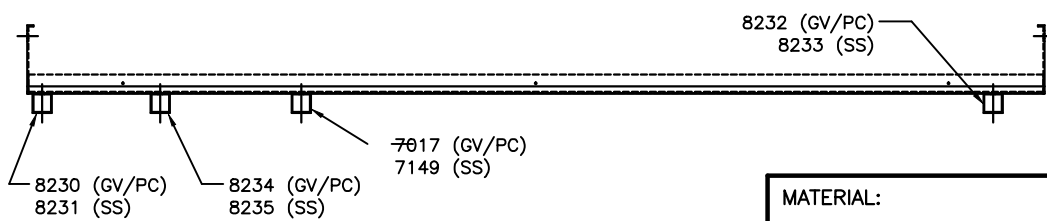
HIGH SECURITY CANOPY




PARTS REQUIRED PER ASSEMBLY (GV/PC)
 7017 CROSS ARM SET QTY 1 (SHORT CROSS REPLACED BY 8230)
 7462 MAIN CHANNEL CROSS ARM ASSEMBLY QTY 1
 8232 BARRIER CROSS ARM CANOPY QTY 1
 8230 YOKE CROSS ARM CANOPY QTY 1
 8234 YOKE MIDDLE CROSS ARM QTY 1
 8201 CANOPY WING QTY 2
 FASTENERS
 8 3/8 X 3 CARRIAGE BOLTS, 8 WASHERS, 8 LOCK WASHERS, 8 3/8 NUTS
 24 SELF TAPPING SCREWS CANOPY WING TO CROSS ARMS

2 ADDITIONAL Ø0.562 HOLES
 IN MAIN CHANNEL TO MOUNT
 BARRIER CROSS ARM

PARTS REQUIRED PER ASSEMBLY (SS)
 7149 CROSS ARM SET QTY 1 (SHORT CROSS REPLACED BY 8231)
 7466 MAIN CHANNEL CROSS ARM ASSEMBLY QTY 1
 8233 BARRIER CROSS ARM CANOPY QTY 1
 8231 YOKE CROSS ARM CANOPY QTY 1
 8235 YOKE MIDDLE CROSS ARM QTY 1
 8201 CANOPY WING QTY 2
 FASTENERS
 8 3/8 X 3 CARRIAGE BOLTS, 8 WASHERS, 8 LOCK WASHERS, 8 3/8 NUTS
 24 SELF TAPPING SCREWS CANOPY WING TO CROSS ARMS



MATERIAL: AS ABOVE	SCALE: 1=20 DATE: 2/6/15	APPROVED BY:	DRAWN BY: LC III
FINISH: TOL. UNLESS OTHERWISE SPEC. .X ± .1 .XXX ± .015 .XX ± .03 ANGLES .5°	 CONTROLLED ACCESS, INC. 1636 West 130th Street Brunswick, Ohio 44212		REVISED: 330-273-6185 FAX 330-273-4468 USA 1-800-942-0829 FAX 1-800-942-0828
		HS448 CANOPY ASSEMBLY	