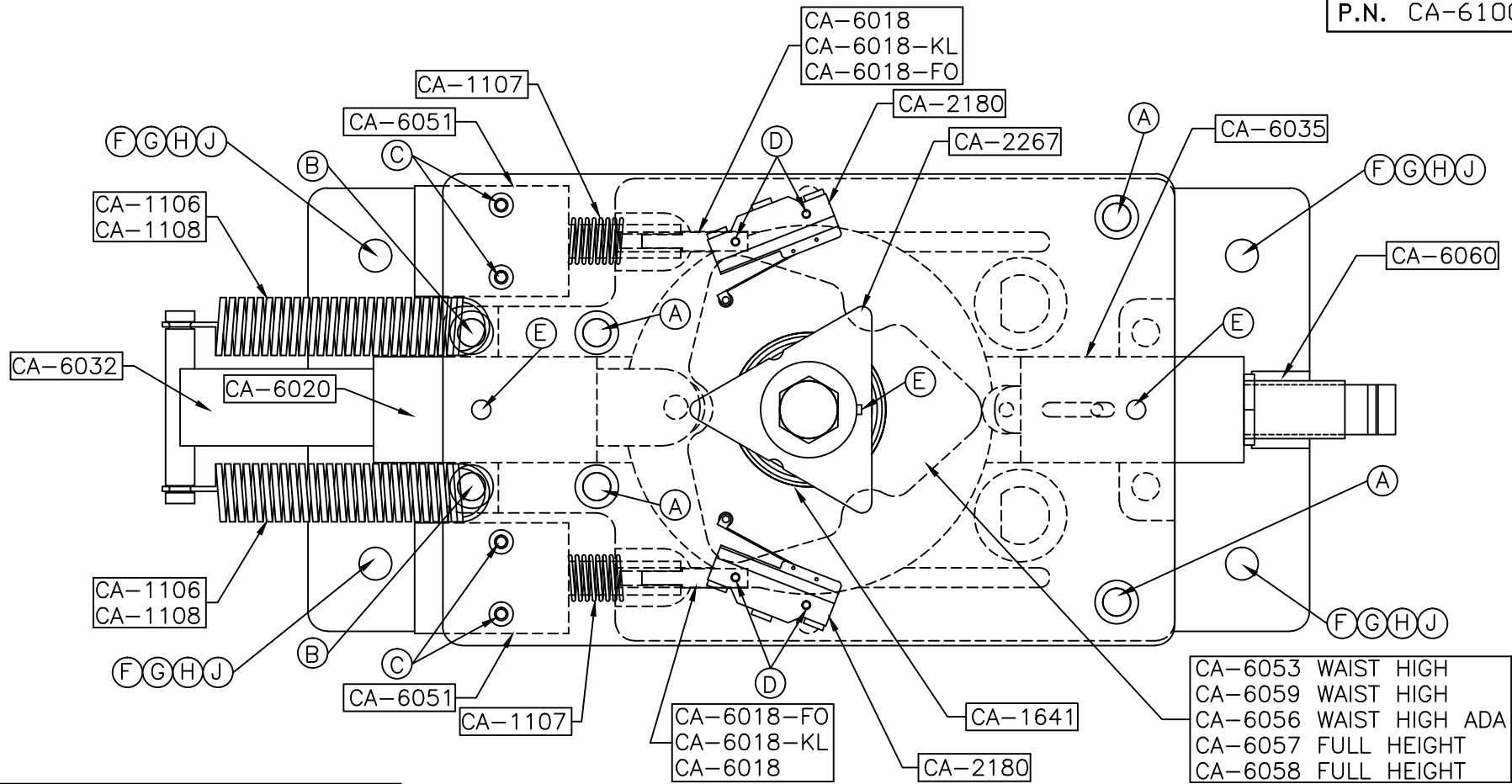


P.N. CA-6100



CA-6053 WAIST HIGH  
 CA-6059 WAIST HIGH  
 CA-6056 WAIST HIGH ADA  
 CA-6057 FULL HEIGHT  
 CA-6058 FULL HEIGHT

| SYM | QTY | DESCRIPTION               |
|-----|-----|---------------------------|
| (A) | 4   | 5/16 x 1 1/2" SOCKET HEAD |
| (B) | 2   | 5/16 x 2" SOCKET HEAD     |
| (C) | 4   | 8/32 x 3/8" SOCKET HEAD   |
| (D) | 4   | 6/32 x 1" MACHINE SCREW   |
| (E) | 3   | 5/16 x 1/2" SET SCREW     |

| WAIST HIGH UNITS |   |                              |
|------------------|---|------------------------------|
| (F)              | 4 | 5/16 x 1-1/4" SS BUTTON HEAD |
| (G)              | 4 | 5/16 SS FLAT WASHER          |
| (H)              | 4 | 5/16 SS LOCK WASHER          |
| (J)              | 4 | 5/16 SS HEX NUT              |

| FULL HEIGHT UNITS |   |                                |
|-------------------|---|--------------------------------|
| (F)               | 4 | 3/8" x 1-1/2" SS CARRIAGE BOLT |
| (G)               | 4 | 3/8 SS FLAT WASHER             |
| (H)               | 4 | 3/8 SS LOCK WASHER             |
| (J)               | 4 | 3/8 SS HEX NUT                 |

PARTS NOT SHOWN:  
 CA-1221 3" HUB EBS WAIST HIGH ONLY  
 CA-2187 SPACER  
 CA-2160 TRANTORQUE WAIST HIGH ONLY  
 CA-788 COMMAND MODULE  
 CA-780 24VDC 3 AMP POWER SUPPLY

|  |  |              |  |
|--|--|--------------|--|
| MATERIAL:<br>N/A   | SCALE: N/A   | APPROVED BY: | DRAWN BY: LC <sup>3</sup>  |
| FINISH: N/A  | DATE: 3/27/02  | REVISED:     |  |
| TOL. UNLESS OTHERWISE SPEC.<br>.X ± .1      .XXX ± .015<br>.XX ± .03    ANGLES .5° |  <b>CONTROLLED ACCESS, INC.</b><br>1515 West 130th Street<br>P.O. Box 430<br>Hinckley, Ohio 44233 |              | 330-273-6185<br>FAX 330-273-4468<br>USA 1-800-942-0829<br>FAX 1-800-942-0828 |
|  |  |              | 6100 CONTROL HEAD ASSEMBLY   |