



**CONTROLLED ACCESS, INC.**


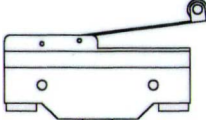



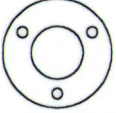
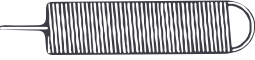

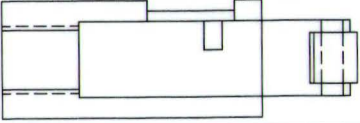

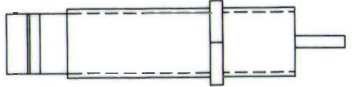
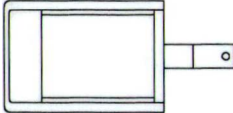


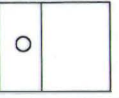

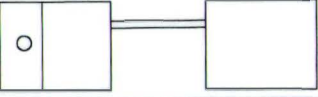

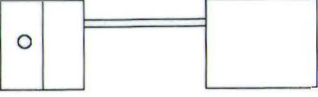
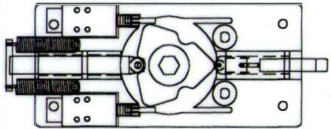
1515 West 130th Street  
P.O. Box 430  
Hinckley, Ohio 44233

330-273-6185  
FAX 330-273-4468  
USA 1-800-942-0829  
FAX 1-800-942-0828  
web: www.controlledaccess.com  
e-mail: sales@controlledaccess.com

PARTS LIST FOR CA-6100 SERIES CONTROL HEAD  
3000, 4000, 5000 TURNSTILES AND ADA GATES, CA-427, CA-430  
FOR CAM ASSEMBLIES SEE CAM PRICE SHEET

ALL PRODUCTS ON THIS PAGE ARE SHIPPED UPS F.O.B. HINCKLEY, OHIO  
PRICES SUBJECT TO CHANGE WITHOUT NOTICE

★ **RECOMMENDED SPARE PARTS**

	PRICE		PRICE
 CA-6032 INDEX PIN			CA-2180 LIMIT SWITCH MICRO BZ-2RW82-A2 ★
 CA-6020 INDEX TUBING			CA-2267 LIMIT SWITCH CAM
 CA-1106 LIGHT SPRING FOR WAIST HIGH WIRE DIA. .075 OSHKOSH-OES 167C-6			CA-1221 3" HUB-EBS WAIST HIGH UNITS ONLY
 CA-1108 HEAVY SPRING FOR FULL HEIGHT WIRE DIA. .085 OSHKOSH-OES 168C-6			CA-2187 SPACER
 CA-6035 SHOCK ROLLER ASSEMBLY			CA-2160 TRANTORQUE FENNER MANHEIM - 6202160 WAIST HIGH UNITS ONLY
 CA-6060 HYDRAULIC SHOCK ABSORBER ENIDINE-OEM .5 ACE CONTROLS - MA225NB-10			CA-6051 SOLENOID GUARDIAN-4-C-24VDC DELTRON 53717-82 ★
 CA-1641 BEARING GENERAL 1641DCG			CA-1107 SOLENOID SPRING ★
 CA-6018 LOCKING PAWL (STANDARD) ★			CA-788 COMMAND MODULE
 CA-6018-KL LOCKING PAWL (KEY LOCK) ★			CA-780 24 VDC 3 AMP POWER SUPPLY
 CA-6018-FO LOCKING PAWL (FAIL OPEN) ★			CA-6100 COMPLETE CONTROL HEAD TURNSTILE, ADA GATE, OR FULL HEIGHT MANUAL ONE WAY/TWO WAY MANUAL KEY CONTROLLED ELECTRONIC ONE WAY ELECTRONIC TWO WAY ELECTRONIC TWO WAY FAIL OPEN ELECTRONIC TWO WAY WITH KEY OVER-RIDE \$1170.00