
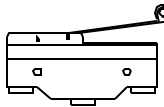
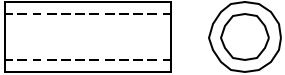


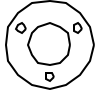

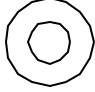
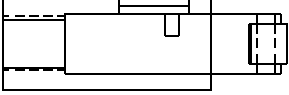
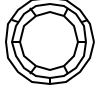
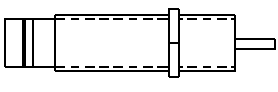
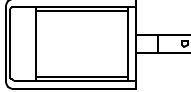


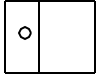

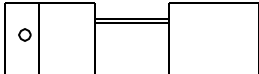
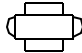
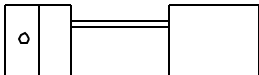
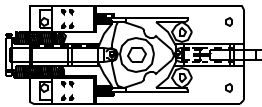


**CONTROLLED ACCESS, INC.**  
 1515 West 130th Street  
 P.O. Box 430  
 Hinckley, Ohio 44233

330-273-6185  
 FAX 330-273-4468  
 USA 1-800-942-0829  
 FAX 1-800-942-0828  
 Web: [www.controlledaccess.com](http://www.controlledaccess.com)  
 e-mail: [sales@controlledaccess.com](mailto:sales@controlledaccess.com)

PARTS LIST FOR CA-6100 SERIES CONTROL HEAD  
 3000, 4000, 5000 TURNSTILES AND ADA GATES, CA-427, CA-430  
 FOR CAM ASSEMBLIES SEE CAM PRICE SHEET  
 ALL PRODUCTS ON THIS PAGE ARE SHIPPED UPS F.O.B. HINCKLEY, OHIO  
 PRICES SUBJECT TO CHANGE WITHOUT NOTICE

★ RECOMMENDED SPARE PARTS

 <p>CA-6032 INDEX PIN</p> <p style="text-align: right;"><u>PRICE</u> \$36.86</p>	 <p>CA-2180 LIMIT SWITCH MICRO BZ-2RW82-A2</p> <p style="text-align: right;"><u>PRICE</u> ★ \$19.41</p>												
 <p>CA-6020 INDEX TUBING</p> <p style="text-align: right;">\$8.78</p>	 <p>CA-2267 LIMIT SWITCH CAM</p> <p style="text-align: right;">\$27.94</p>												
 <p>CA-1106 LIGHT SPRING FOR WAIST HIGH WIRE DIA. .075 OSHKOSH-OES 167C-6</p> <p style="text-align: right;">\$4.47</p>	 <p>CA-1221 3" HUB-EBS WAIST HIGH UNITS ONLY</p> <p style="text-align: right;">\$60.19</p>												
 <p>CA-1108 HEAVY SPRING FOR FULL HEIGHT WIRE DIA. .085 OSHKOSH-OES 168C-6</p> <p style="text-align: right;">\$5.37</p>	 <p>CA-2187 SPACER</p> <p style="text-align: right;">\$1.25</p>												
 <p>CA-6035 SHOCK ROLLER ASSEMBLY</p> <p style="text-align: right;">\$83.74</p>	 <p>CA-2160 TRANSTORQUE FENNER MANHEIM - 6202160 WAIST HIGH UNITS ONLY</p> <p style="text-align: right;">\$89.55</p>												
 <p>CA-6060 HYDRAULIC SHOCK ABSORBER ENIDINE-OEM .5 ACE CONTROLS - MA225NB-10</p> <p style="text-align: right;">\$117.56</p>	 <p>CA-6051 SOLENOID GUARDIAN-4-C-24VDC DELTRON 53717-B2</p> <p style="text-align: right;">★ \$36.53</p>												
 <p>CA-1641 BEARING GENERAL 1641DCG</p> <p style="text-align: right;">\$19.48</p>	 <p>CA-1107 SOLENOID SPRING</p> <p style="text-align: right;">★ \$0.97</p>												
 <p>CA-6018 LOCKING PAWL (STANDARD)</p> <p style="text-align: right;">★ \$15.12</p>	 <p>CA-788 COMMAND MODULE</p> <p style="text-align: right;">\$152.10</p>												
 <p>CA-6018-KL LOCKING PAWL (KEY LOCK)</p> <p style="text-align: right;">★ \$45.36</p>	 <p>CA-78D 24 VDC 3 AMP POWER SUPPLY</p> <p style="text-align: right;">\$39.00</p>												
 <p>CA-6018-FQ LOCKING PAWL (FAIL OPEN)</p> <p style="text-align: right;">★ \$45.36</p>	 <p>CA-6100 COMPLETE CONTROL HEAD TURNSTILE, ADA GATE, OR FULL HEIGHT</p> <table border="0" style="width: 100%;"> <tr> <td>MANUAL ONE WAY/TWO WAY</td> <td style="text-align: right;">\$600.00</td> </tr> <tr> <td>MANUAL KEY CONTROLLED</td> <td style="text-align: right;">\$800.00</td> </tr> <tr> <td>ELECTRONIC ONE WAY</td> <td style="text-align: right;">\$668.00</td> </tr> <tr> <td>ELECTRONIC TWO WAY</td> <td style="text-align: right;">\$920.00</td> </tr> <tr> <td>ELECTRONIC TWO WAY FAIL OPEN</td> <td style="text-align: right;">\$1010.00</td> </tr> <tr> <td>ELECTRONIC TWO WAY WITH KEY OVER-RIDE</td> <td style="text-align: right;">\$1170.00</td> </tr> </table>	MANUAL ONE WAY/TWO WAY	\$600.00	MANUAL KEY CONTROLLED	\$800.00	ELECTRONIC ONE WAY	\$668.00	ELECTRONIC TWO WAY	\$920.00	ELECTRONIC TWO WAY FAIL OPEN	\$1010.00	ELECTRONIC TWO WAY WITH KEY OVER-RIDE	\$1170.00
MANUAL ONE WAY/TWO WAY	\$600.00												
MANUAL KEY CONTROLLED	\$800.00												
ELECTRONIC ONE WAY	\$668.00												
ELECTRONIC TWO WAY	\$920.00												
ELECTRONIC TWO WAY FAIL OPEN	\$1010.00												
ELECTRONIC TWO WAY WITH KEY OVER-RIDE	\$1170.00												