


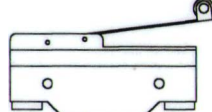
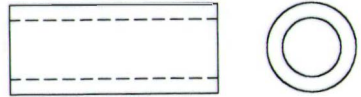


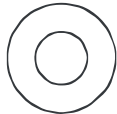
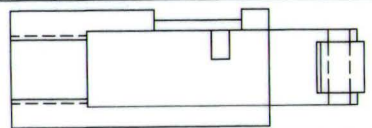
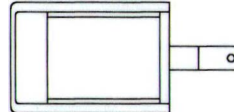
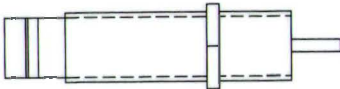
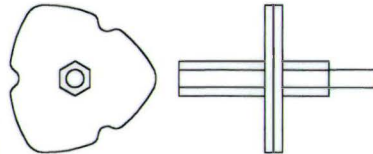

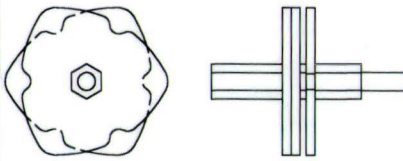
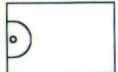
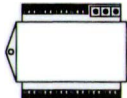
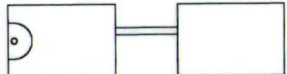
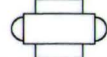

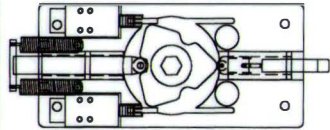
**CONTROLLED
ACCESS, INC.**

1515 West 130th Street
P.O. Box 430
Hinckley, Ohio 44233

330-273 6185
FAX 330-273-4468
USA 1-800-942-0829
FAX 1-800-942-0828
web: www.controlledaccess.com
e-mail: sales@controlledaccess.com

8100 Series Control Head

★ PRICES SUBJECT TO CHANGE WITHOUT NOTICE
RECOMMENDED SPARE PARTS

| | <u>PRICE</u> | | <u>PRICE</u> |
|---|--------------|---|--------------|
|  <p>8032 INDEX PIN</p> | |  <p>2180 LIMIT SWITCH MICRO BZ-2RW82-A2</p> | ★ |
|  <p>8020 INDEX TUBING</p> | |  <p>2267 LIMIT SWITCH CAM</p> | |
|  <p>8108 HEAVY'S PRINGF ORF ULL HEIGHT WIRE DIA. .085 OSHKOSH-OES 168C-6</p> | |  <p>8187 SPACER</p> | |
|  <p>8035 SHOCK ROLLER ASSEMBLY</p> | |  <p>8051 SOLENOID DELTROL 50046-83</p> | ★ |
|  <p>8060 HYDRAULIC SHOCK ABSORBER ACE CONTROLS - MA900NB</p> | |  <p>8057 STANDARD CAM ASSEMBLY</p> | |
|  <p>8641 BEARING GENERAL 60072RSNR</p> | |  <p>8058 ANTI-BACKUP CAM ASSEMBLY</p> | |
|  <p>8018 LOCKING PAWL (STANDARD)</p> | ★ |  <p>789 INPUT MODULE</p> | |
|  <p>8018-KL LOCKING PAWL (KEY LOCK)</p> | ★ |  <p>780 24 VDC 3 AMP POWER SUPPLY</p> | |
|  <p>8107 SOLENOID SPRING</p> | ★ |  <p>8100 COMPLETE CONTROL HEAD SUPER DUT FULL HEIGHT MANUAL ONE WAY/TWO WAY MANUAL KEY CONTROLLED ELECTRONIC ONE WAY ELECTRONIC TWO WAY ELECTRONIC TWO WAY FAIL OPEN ELECTRONIC TWO WAY WITH KEY OVER-RIDE</p> | \$1839.90 |